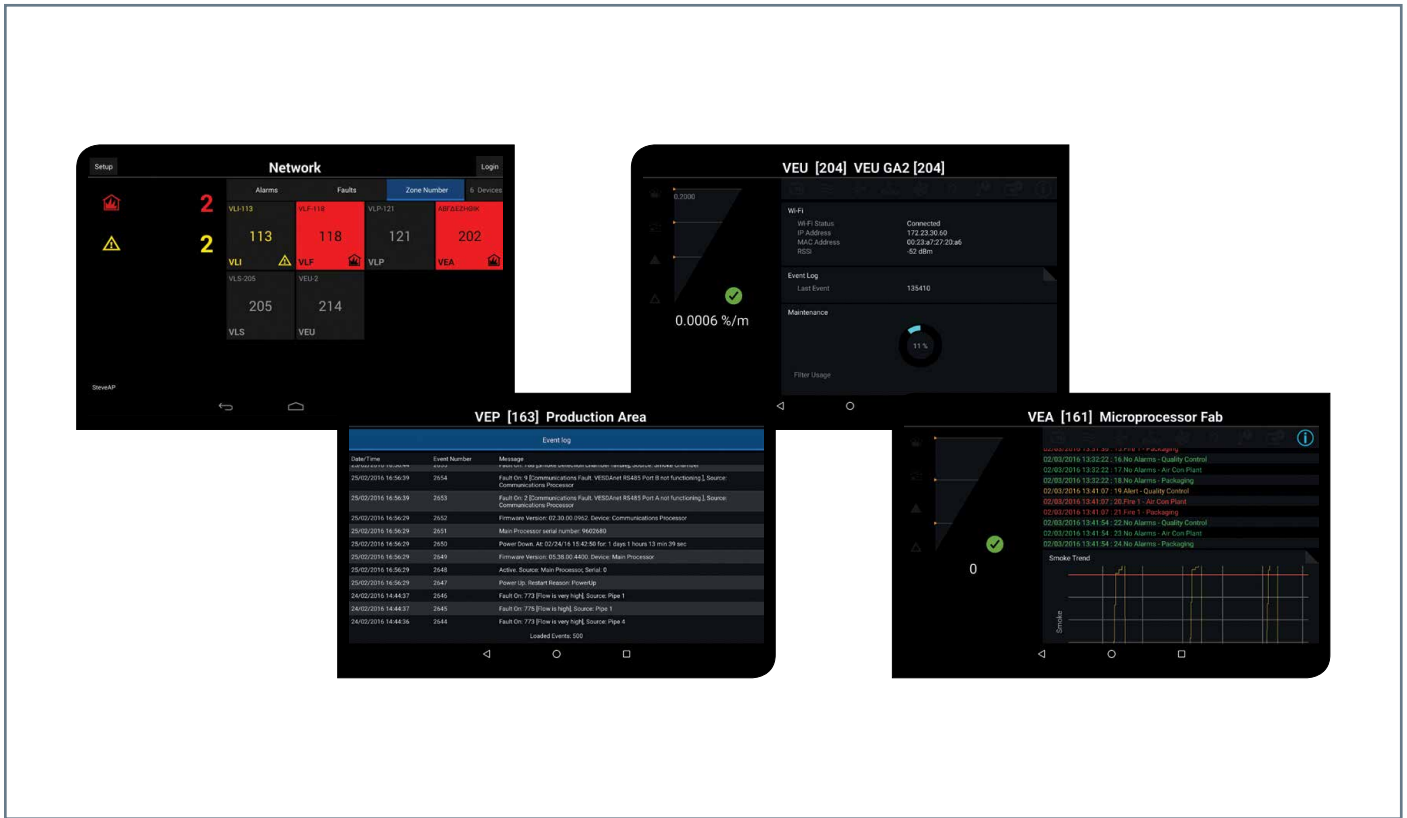


iVESDA: PRODUCT BRIEF



iVESDA AN APPLICATION FOR MONITORING VESDA AND VESDA-E ASPIRATING SMOKE DETECTORS ON ANDROID AND IOS

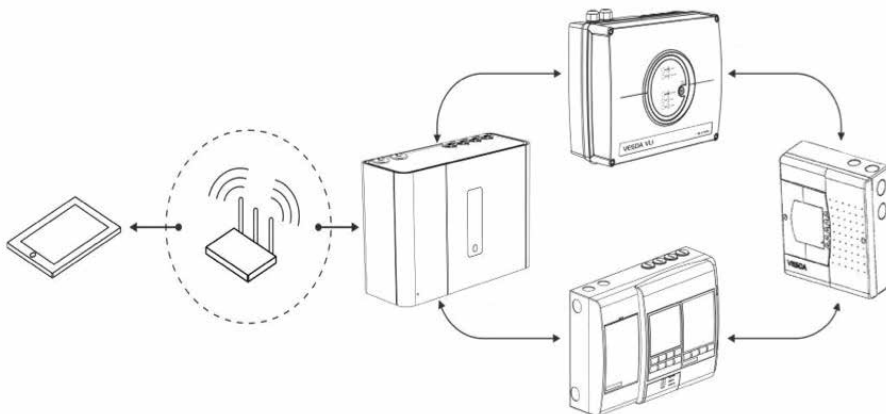
PRODUCT DESCRIPTION

iVESDA is a downloadable application that can be installed on Android and iOS* handheld devices to monitor and maintain VESDA-E systems with unprecedented ease. iVESDA is also compatible with existing VESDA detectors residing on the same VESDAnet as VESDA-E.

iVESDA provides detailed alarm, fault and other status information such as smoke trends, airflow, filter life, as well as viewing of important configuration parameters such as pipes in use and smoke alarm thresholds. It also provides the ability to view detector event log to aid system configuration, fault diagnostics and maintenance.

Connectivity between VESDA-E and iVESDA can be established within the protected facility using a standard Wi-Fi network, or remotely via the Internet. The diagram below shows a typical topology where iVESDA, on a handheld device, communicates with the entire VESDAnet via a wireless router, and VESDA-E acts as a gateway into the VESDAnet allowing for backwards compatibility.

With iVESDA the interaction and response to the VESDA detection system is taken to a completely new level of ease and portability. Facility Managers now have a convenient means of monitoring their entire VESDA population for status, alarm, fault, and configuration information with a handheld device, without the need for a PC and High Level Interface, no matter where they are located. First Responders can receive live status information to direct immediate response to imminent threats and can monitor the spread of the threat across the VESDA network. Field Service Engineers can obtain system diagnostic and maintenance information before and during a site visit without the need for a local hard wired connection, simplifying and speeding up site visits.



ABOUT XTRALIS



Xtralis is the leading global provider of powerful solutions for the very early and reliable detection of smoke, fire, and gas threats. Our technologies prevent disasters by giving users time to respond before life, critical infrastructure or business continuity is compromised.

We protect highly valued assets and infrastructure belonging to the world's top governments and businesses.

To learn more, please visit us at www.xtralis.com